

GPL-100 Stainless Steel Overlay Door Pivot Hinge

Features

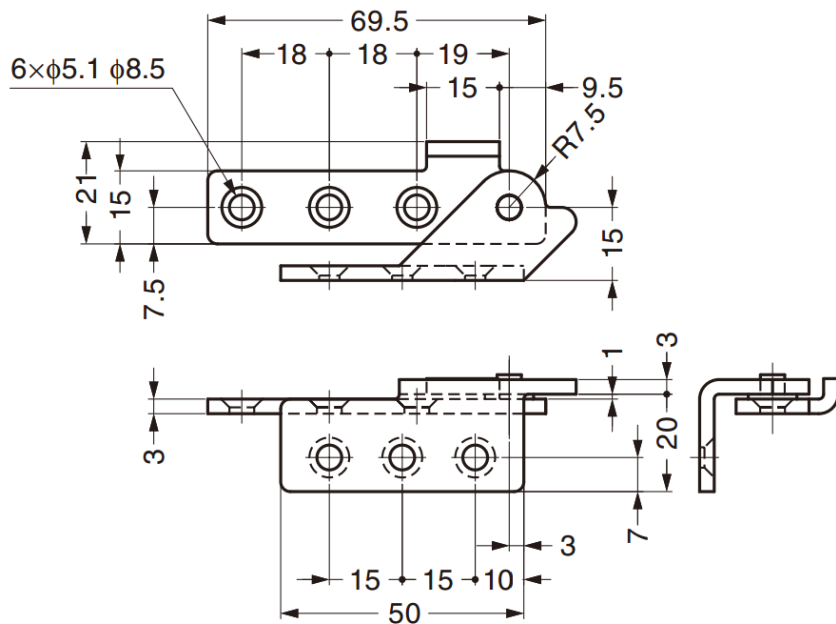
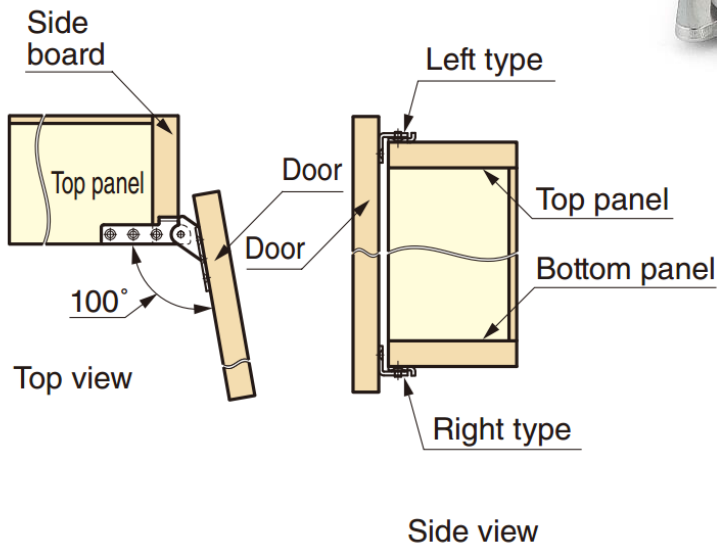
- Available as right or left opening types

Material

- Stainless steel 304, polished



Right (for right-lower / left-upper)



Left type shown

Part No.	Type	Door Width	Door Height	Door Weight
GPL-100R	Right (for right-lower / left-upper)	Max. 600	Max. 750	Max. 6 kg / pair
GPL-100L	Left (for left-lower / right-upper)			